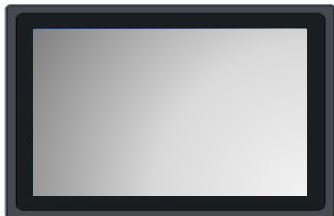


AMX-MT215 Series

21.5" FULL HD TFT Industrial LCD Monitor



21.5"

FULL HD
1980 x 1080

VGA

HDMI

DVI

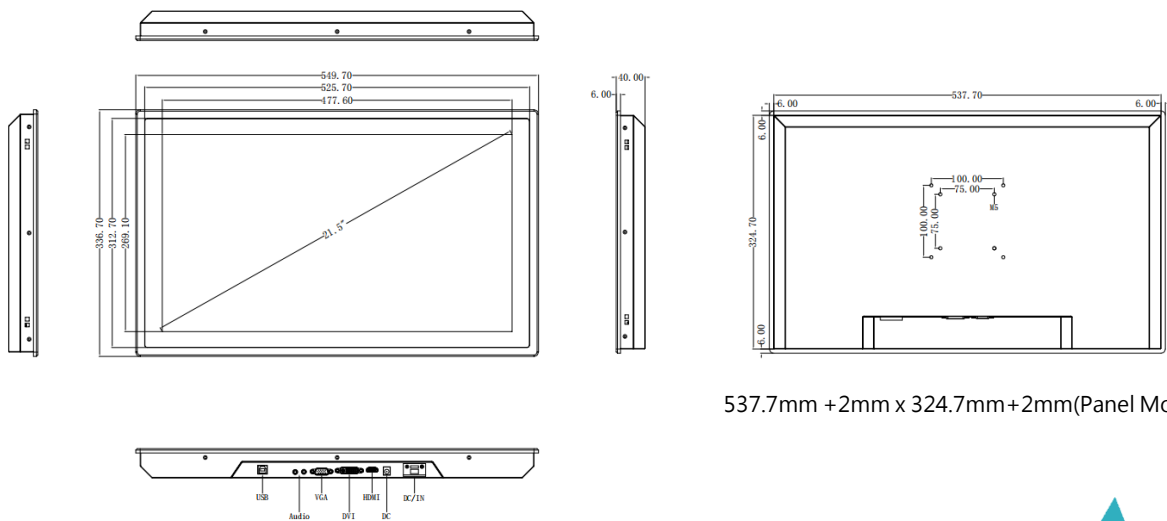
Features

- 21.5" FULL HD TFT LED backlight LCD
- Supports wall mount and VESA mount
- VGA, HDMI, DVI with multi-signal inputs
- Projected capacitive and Resistive Touchscreen

▶ SPEC

Model	AMX-MT215	AMX-MT215PZ	AMX-MT215RZ
Touch Type	No touch function	Projected capacitive Touchscreen	4-Wire Resistive Touchscreen
Surface Hardness		>6H	3H or higher
Interface		USB	USB
Transparency		81%~91%	≥ 75
Display Type	FULL HD TFT LCD		
Backlight Type	LED		
Display Size	21.5"(16:9)		
Max. Resolution	1920 x 1080		
Max. Color	16.2M		
Viewing Angle(H/V °)	89/89/89/89(Typ.)(CR≥10)		
Luminance (cd/m2)	250cd/mi		
Contrast Ratio	1000:1		
Dimensions	549.7mm*336.7mm*40mm		
VESA Mount	75mm *75mm /100mm*100mm		
Panel Mount	537.7mm x 324.7mm		
Power Adapter	DC 12V (Optional : DC 24V/DC 9-36V)		
Video Port	VGA/HDMI/DVI Port		

▶ Dimensions



537.7mm +2mm x 324.7mm+2mm(Panel Mount)