

AMX-MT190 Series

19.0" SXGA TFT Industrial LCD Monitor



19.0"

SXGA
1280 x 1024

VGA

HDMI

DVI

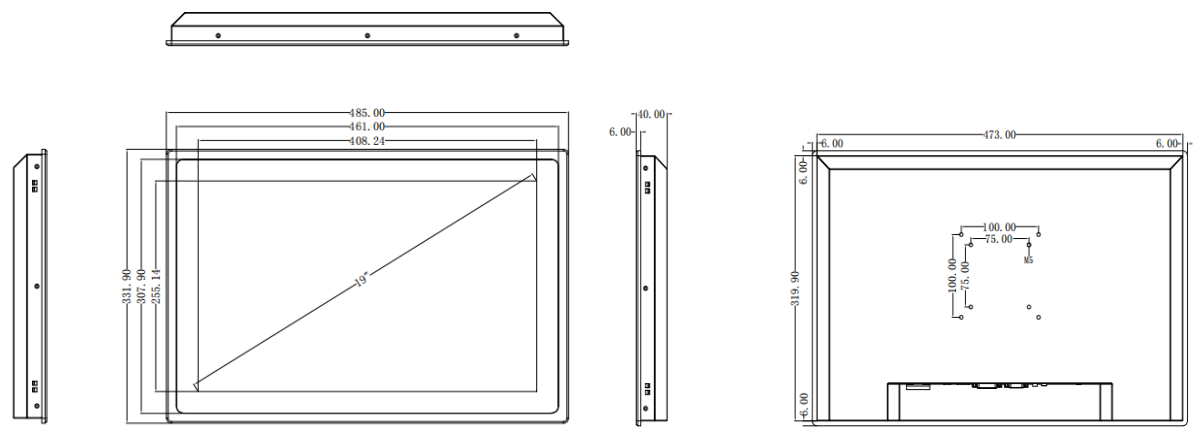
Features

- 19.0" SXGA TFT LED backlight LCD
- Supports wall mount and VESA mount
- VGA, HDMI, DVI with multi-signal inputs
- Projected capacitive and Resistive Touchscreen

SPEC

| Model | AMX-MT190 | AMX-MT190PZ | AMX-MT190RZ |
|--------------------------------|--|----------------------------------|------------------------------|
| Touch Type | No touch function | Projected capacitive Touchscreen | 4-Wire Resistive Touchscreen |
| Surface Hardness | | >6H | 3H or higher |
| Interface | | USB | USB |
| Transparency | | 81%~91% | ≥ 75 |
| Display Type | SXGA TFT LCD | | |
| Backlight Type | LED | | |
| Display Size | 19.0"(5:4) | | |
| Max. Resolution | 1280 x 1024 | | |
| Max. Color | 16.2M | | |
| Viewing Angle(H/V °) | 80/80/80/80(Typ.)(CR≥10) | | |
| Luminance (cd/m ²) | 350cd/m ² | | |
| Contrast Ratio | 1000:1 | | |
| Dimensions | 485mm*332mm*40mm | | |
| VESA Mount | 75mm *75mm /100mm*100mm | | |
| Panel Mount | 473mm x 320mm | | |
| Power Adapter | DC 12V (Optional : DC 24V/DC 9-36V) | | |
| Video Port | VGA/HDMI/DVI Port | | |

Dimensions



473mm +2mm x 320mm+2mm(Panel Mount)

