

AMX-MT170 Series

17.0" SXGA TFT Industrial LCD Monitor



17.0"

SXGA
1280 x 1024

VGA

HDMI

DVI

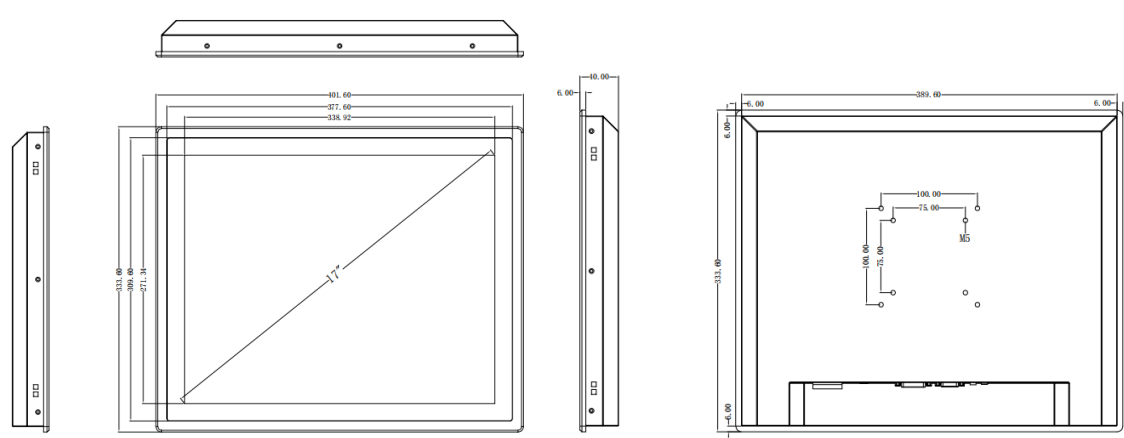
Features

- 17.0" SXGA TFT LED backlight LCD
- Supports wall mount and VESA mount
- VGA, HDMI, DVI with multi-signal inputs
- Resistive touch/Projected capacitive multi-touch

SPEC

Model	AMX-MT170	AMX-MT170PZ	AMX-MT170RZ
Touch Type	No touch function	Projected capacitive Touchscreen	4-Wire Resistive Touchscreen
Surface Hardness		>6H	3H or higher
Interface		USB	USB
Transparency		81%~91%	≥ 75
Display Type	SXGA TFT LCD		
Backlight Type	LED		
Display Size	17.0"(4:3)		
Max. Resolution	1280 x 1024		
Max. Color	16.2M		
Viewing Angle(H/V °)	85/85/80/80(Typ.)(CR≥10)		
Luminance (cd/m ²)	250cd/m ²		
Contrast Ratio	1000:1		
Dimensions	401.6mm*333.6mm*40mm		
VESA Mount	75mm *75mm /100mm*100mm		
Panel Mount	389.6mmx321.6mm		
Power Adapter	DC 12V (Optional : DC 24V/DC 9-36V)		
Video Port	VGA/HDMI/DVI Port		

Dimensions



Cut Size : 389.6mmx321.6mm(Panel Mount)