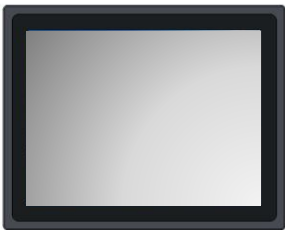


AMX-MT150 Series

15.0" XGA TFT Industrial LCD Monitor



15.0"

XGA
1024 x 768

VGA

HDMI

DVI

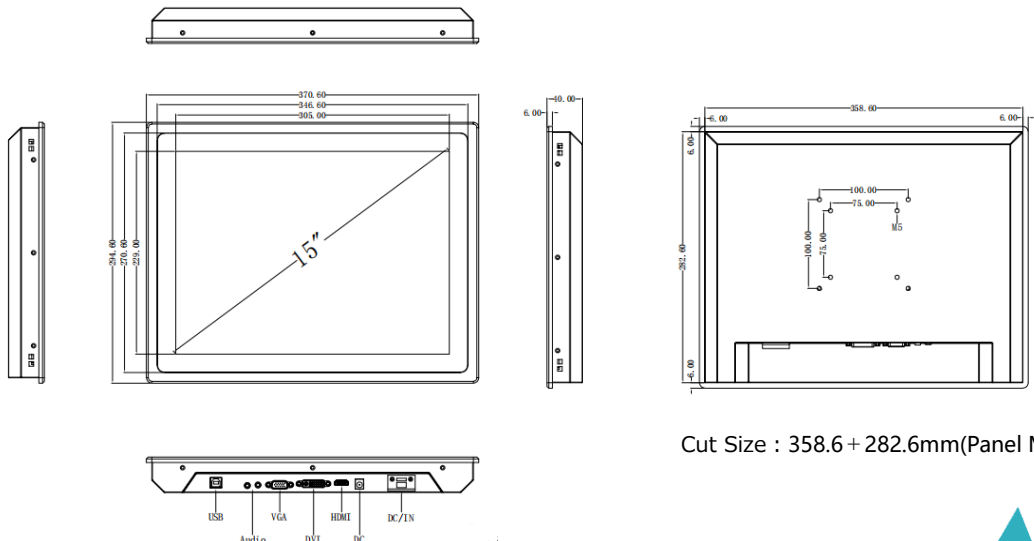
Features

- 15.0" XGA TFT LED backlight LCD
- Supports wall mount and VESA mount
- VGA, HDMI, DVI with multi-signal inputs
- Resistive touch/Projected capacitive multi-touch

▶ SPEC

Model	AMX-MT150	AMX-MT150PZ	AMX-MT150RZ
Touch Type	No touch function	Projected capacitive Touchscreen	4-Wire Resistive Touchscreen
Surface Hardness		>6H	3H or higher
Interface		USB	USB
Transparency		81%~91%	≥ 75
Display Type	XGA TFT LCD		
Backlight Type	LED		
Display Size	15.0"(4:3)		
Max. Resolution	1024 x 768		
Max. Color	16.2M		
Viewing Angle(H/V °)	80/80/80/80(Typ.)(CR≥10)		
Luminance (cd/m2)	350cd/mi		
Contrast Ratio	1000:1		
Dimensions	370.6mm*294.6mm*40mm		
VESA Mount	75mm *75mm /100mm*100mm		
Panel Mount	358.6mm x 282.6mm		
Power Adapter	DC 12V (Optional : DC 24V/DC 9-36V)		
Video Port	VGA/HDMI/DVI Port		

▶ Dimensions



Cut Size : 358.6 + 282.6mm(Panel Mount)