

# AMX-MT121 Series

12.1" XGA TFT Industrial LCD Monitor



12.1"

XGA  
1024 x 768

VGA

HDMI

DVI

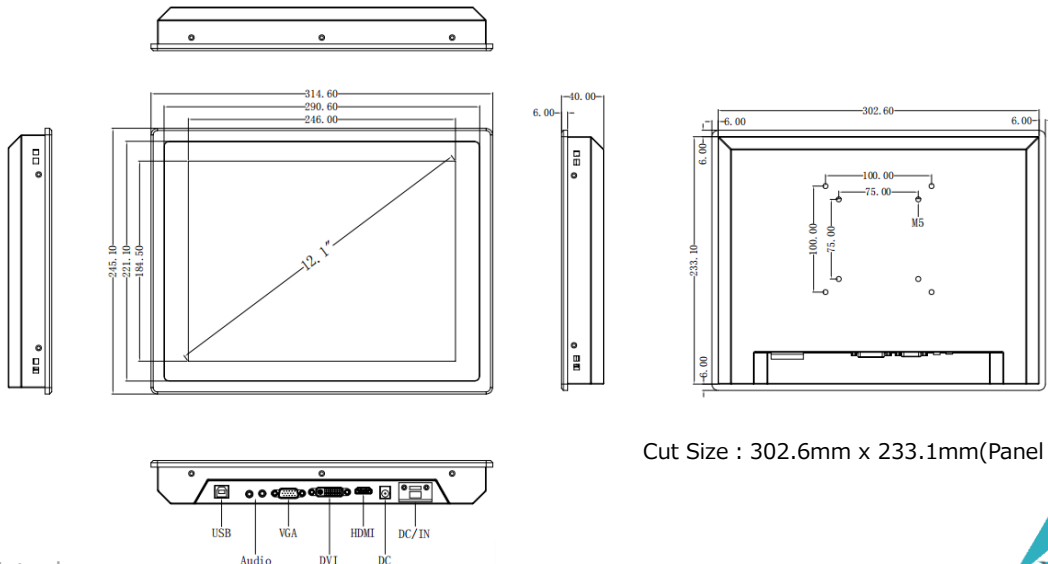
### Features

- 12.1" XGA TFT LED backlight LCD
- Supports wall mount and VESA mount
- VGA, HDMI with multi-signal inputs
- Projected capacitive and Resistive Touchscreen

### SPEC

Model	AMX-MT121	AMX-MT121PZ	AMX-MT121RZ
Touch Type	No touch function	Projected capacitive Touchscreen	4-Wire Resistive Touchscreen
Surface Hardness		>6H	3H or higher
Interface		USB	USB
Transparency		81%~91%	≥ 75
Display Type	XGA TFT LCD		
Backlight Type	LED		
Display Size	12.1"(4:3)		
Max. Resolution	1024 x 768		
Max. Color	16.2M		
Viewing Angle(H/V °)	80/80/80/80(Typ.)(CR≥10)		
Luminance (cd/m2)	350cd/m		
Contrast Ratio	700:1		
Dimensions	314.6mm*245.1mm*40mm		
VESA Mount	75mm *75mm /100mm*100mm		
Panel Mount	302.6mm x 233.1mm		
Power Adapter	DC 12V (Optional : DC 24V/DC 9-36V)		
Video Port	VGA/HDMI/DVI Port		

### Dimensions



Cut Size : 302.6mm x 233.1mm(Panel Mount)